

TELEMACO A B



Top Finishes
Melamine (MFC)
Perfect Sense
Writable Laminate.

Steel sheet metal Flip top
mechanism with handles.
Polypropylene (PP) cover.

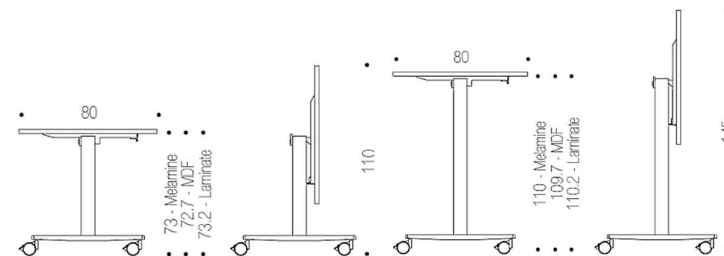
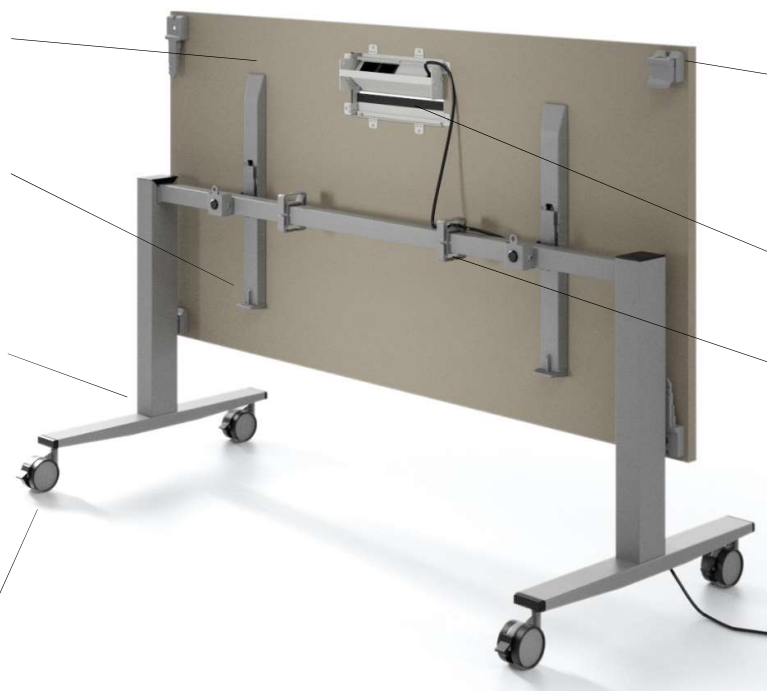
Leg with rectangular steel pipe
column 80x60 mm with rectangular
steel sheet metal feet 70x30 mm.
Epoxy powder painting
Grey RAL 9006 polished
White RAL 9003 polished.

Swivel castor with pedal brake
ø 75 mm.
Polyamide support with anti-
trace thermoplastic rubber.

Grey linking device in
nylon to join table tops
(optional).

4 or 6 resealable module (White, Black or
Grey) painted steel for electricity and/or
multimedia system.
Available with single cable management
(optional).

Black Polypropylene (PP)
cable management.



Structure Finishes



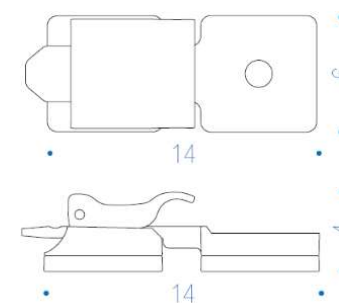
Leg with rectangular steel pipe column 80x60 mm with rectangular steel sheet metal feet 70x30 mm.
 Epoxy powder painting.
 2 Finishes available:
 Grey RAL 9006 polished
 White RAL 9003 polished.

Top Finishes





AGG10



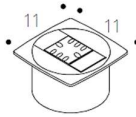
Grey linking device in nylon to join table tops.

TELEMACO A B

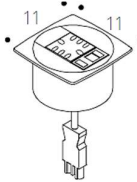


Single module in ABS for electricity and/or multimedia and system cable management.

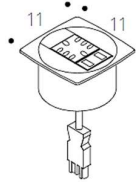
KIT06 / A



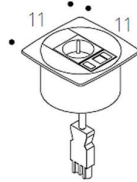
KIT06 / B



KIT06 / C

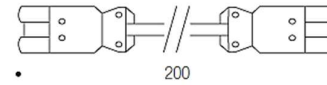


KIT06



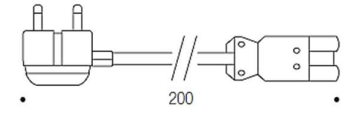
KIT03

Connection cable to joint variable plug power supply system 2 mt (H05VV-F 3G 1.5 mm2 / GST18 - GST18).



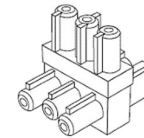
KIT09

Electric cable 2 mt (H05VV-F 3G 1.5 mm2 / GST18 - Male Socket)



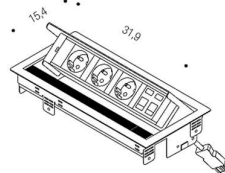
KIT12

Power distributor with 3 poles.

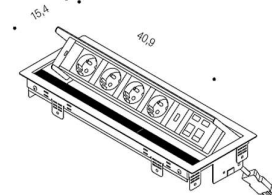


4 or 6 module steel box for electricity and/or multimedia.

KIT07*

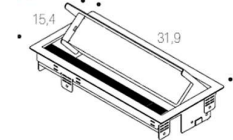


KIT08*

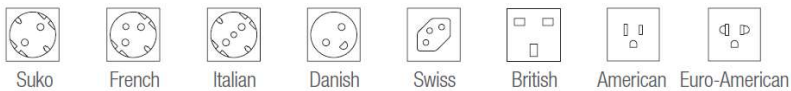


Cable management resealable module (White, Black or Grey) painted steel box.

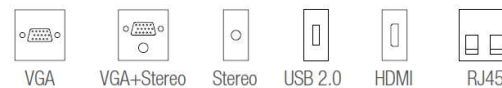
KIT04*



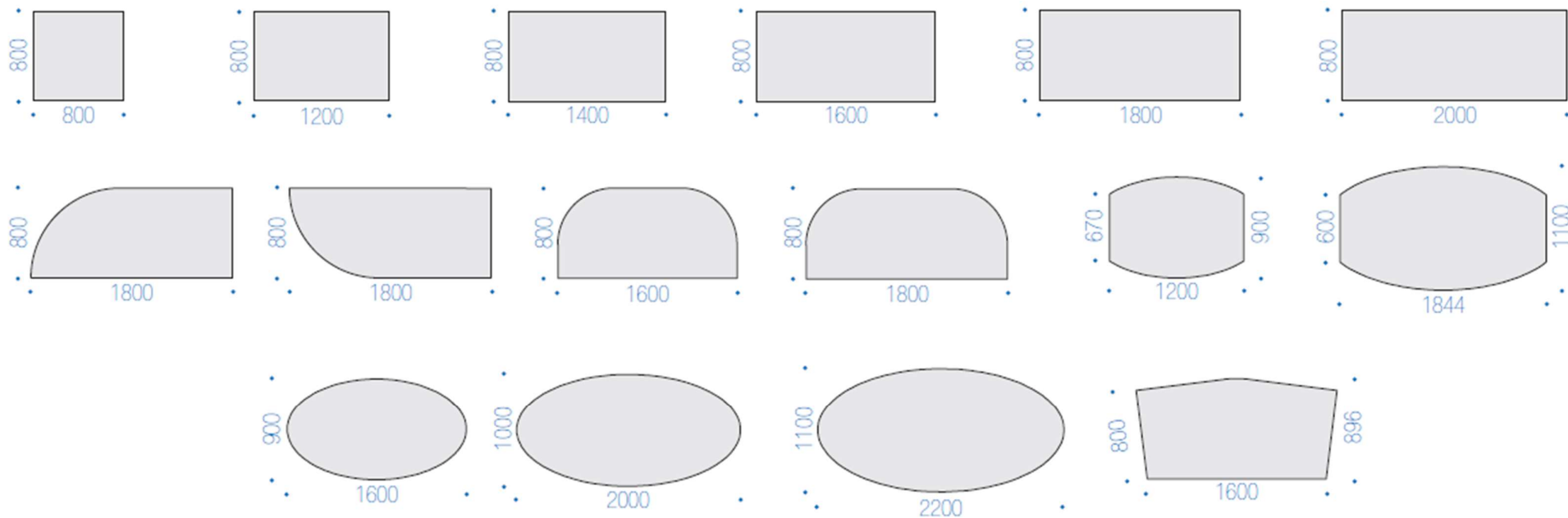
*International Sockets



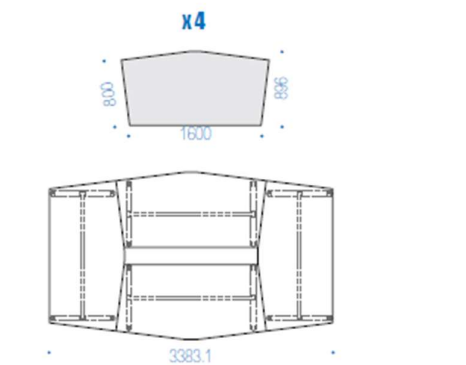
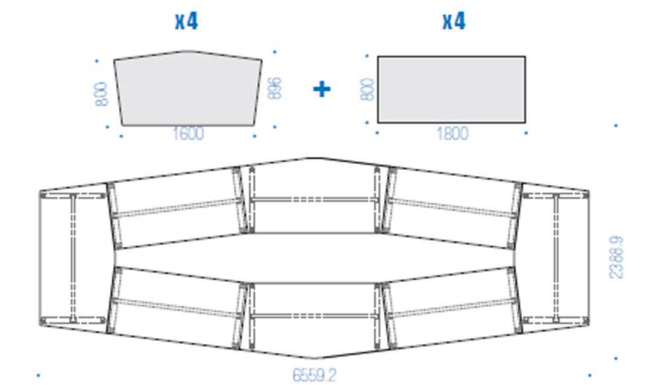
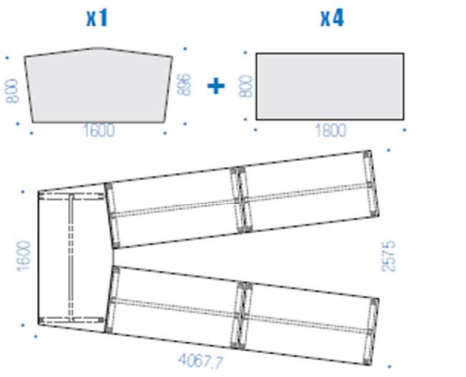
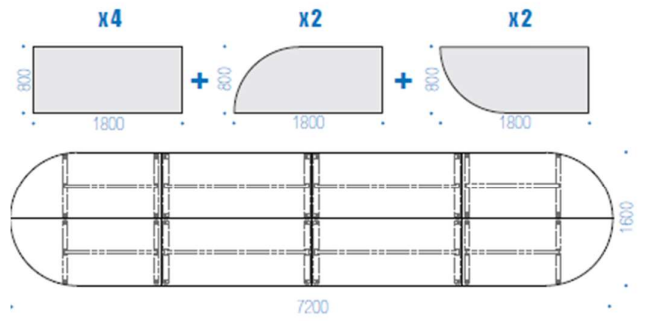
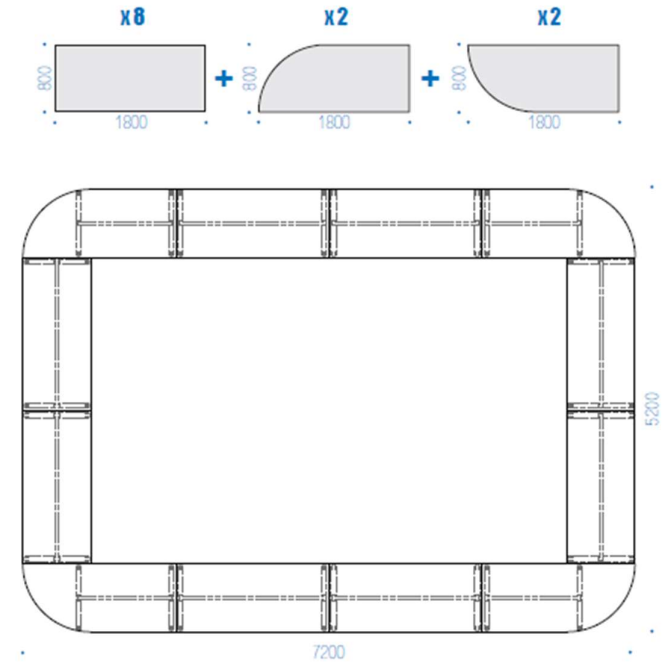
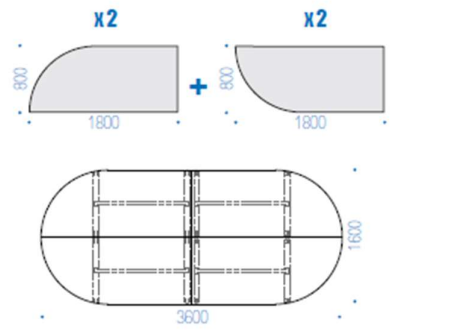
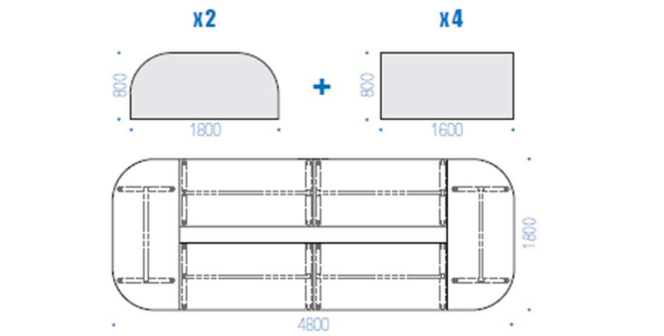
*Multimedia Accessories



Shapes and dimension tops



Compositions



Cleaning

For the metal parts, we recommend to only use a damp cloth with alcohol and to dry all very well after cleaning. For the lacquered top, use a damp cloth with neutral liquid detergent. Do not use solvents, trichloroethylene, acetone or ammonia.

Guaranteed

Our products are guaranteed for 5 years.
(detailed guarantee document available upon request).



UNI EN 1730:2000
Compliance certificate with BS EN 15372:2016, level 2° (**Telemaco B**).