

ULISSES



Top Finishes
Melamine (MFC)
Perfect Sense
Writable Laminate.

Steel sheet metal Flip top
mechanism with handles.
Polypropylene (PP) cover.

Leg with rectangular steel pipe
column 60x30 mm with die-cast
aluminum foot.
Epoxy powder painting
Black RAL 9005
White RAL 9003
Grey.

Swivel castor with pedal brake
ø75 mm in polypropylene (PP) +
anti-trace thermoplastic rubber.

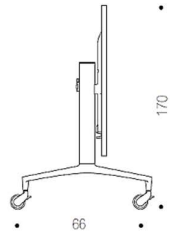
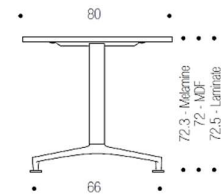


Grey linking device in
nylon to join table tops
(optional).

4 or 6 resealable module (White,
Black or Grey) painted steel for
electricity and/or multimedia system.
Available with single cable
management (optional).

Polypropylene (PP)
cable management.

Modesty panel
MCF
Lacquered MDF in Perfect Sense.



Structure Finishes



Leg with rectangular steel pipe column 60x30 mm with die-cast aluminum foot.

Epoxy powder painting.

6 Finishes available:

Column Black RAL9005 / Foot Black RAL9005

Column Grey / Foot Grey

Column white RAL9003 / Foot White RAL9003

Column Black RAL9005 / die-cast aluminum polished foot

Column Grey / die-cast aluminum polished foot

Column White RAL9003 / die-cast aluminum polished foot.

Top Finishes

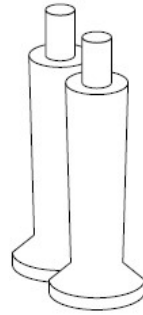


ibebi.com_T. + 39 0421 244 244 - Via A. Manzoni, 27 Fossalta di Portogruaro VE - ITALIA



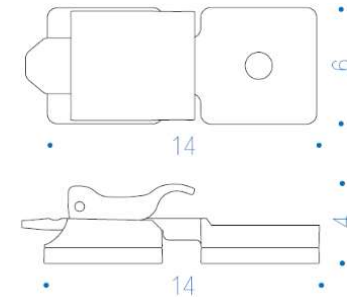
Pair of aluminum feet with black base.

KIT14



Grey linking device in nylon to join table tops.

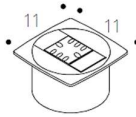
AGG10



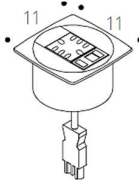


Single module in ABS for electricity and/or multimedia and system cable management.

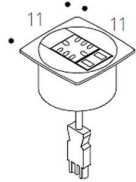
KIT06 / A



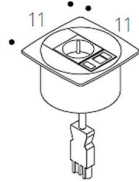
KIT06 / B



KIT06 / C

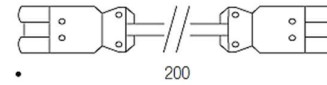


KIT06



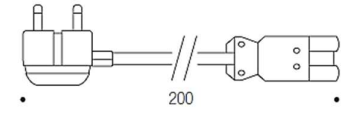
KIT03

Connection cable to joint variable plug power supply system 2 mt (H05VV-F 3G 1.5 mm² / GST18 - GST18).



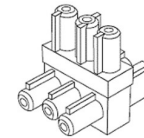
KIT09

Electric cable 2 mt (H05VV-F 3G 1.5 mm² / GST18 – Male Socket)



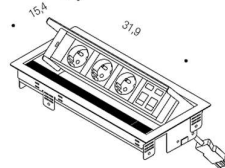
KIT12

Power distributor with 3 poles.

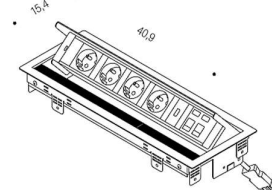


4 or 6 module steel box for electricity and/or multimedia.

KIT07*

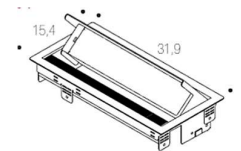


KIT08*

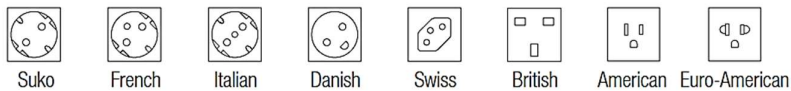


Cable management resealable module (White, Black or Grey) painted steel box.

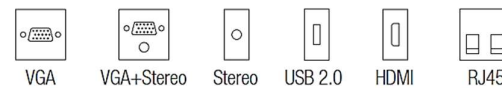
KIT04*



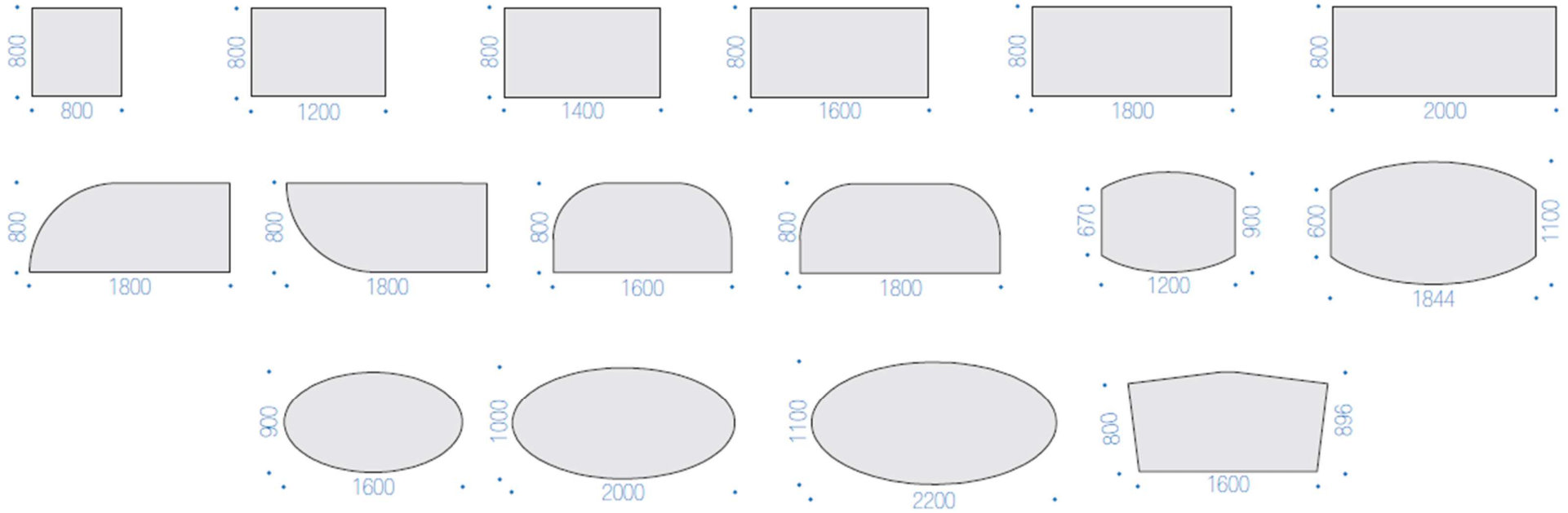
*International Sockets



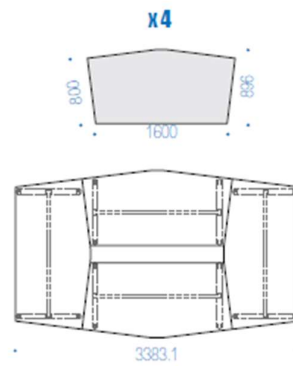
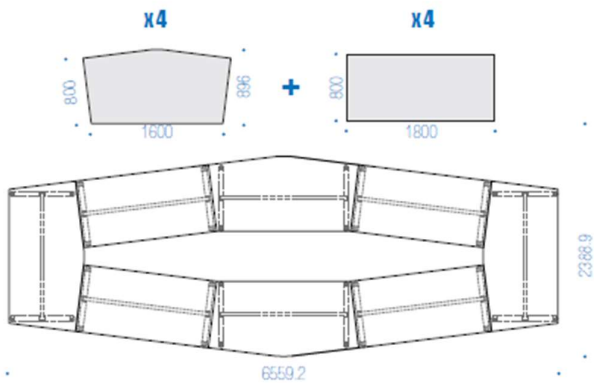
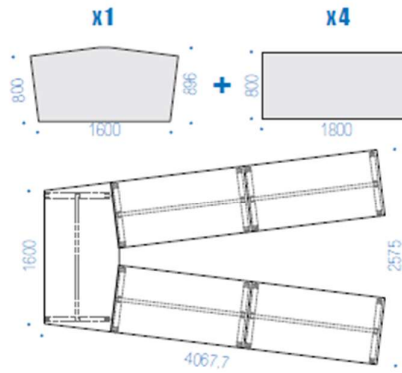
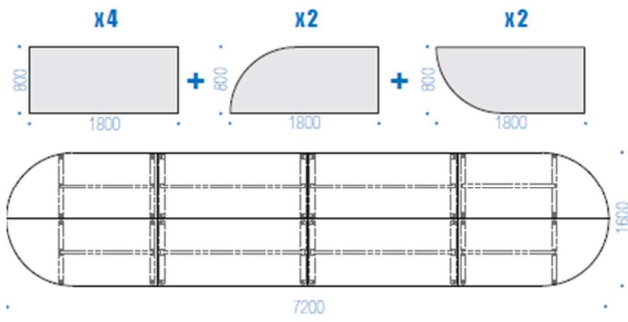
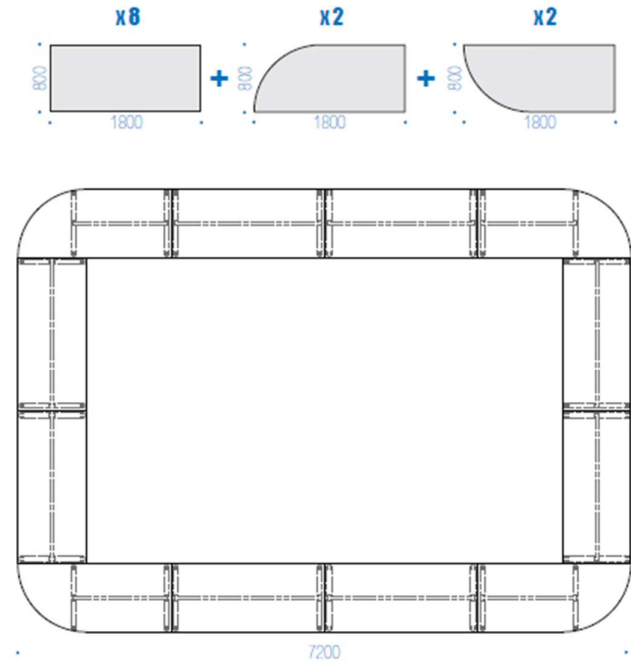
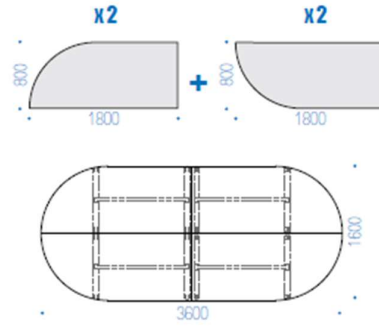
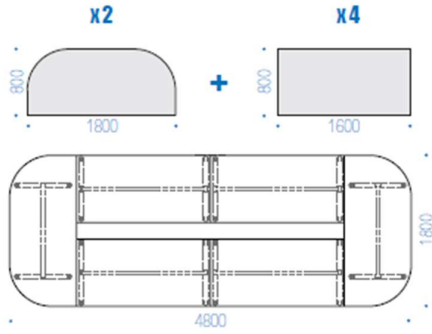
*Multimedia Accessories



Shapes and dimension tops



Compositions



Cleaning

For the metal parts, we recommend to only use a damp cloth with alcohol and to dry all very well after cleaning. For the lacquered top, use a damp cloth with neutral liquid detergent. Do not use solvents, trichloroethylene, acetone or ammonia.

Guaranteed

Our products are guaranteed for 5 years.
(detailed guarantee document available upon request).



UNI EN 1730:2000

Compliance certificate with BS EN 15372:2016, level 2°.