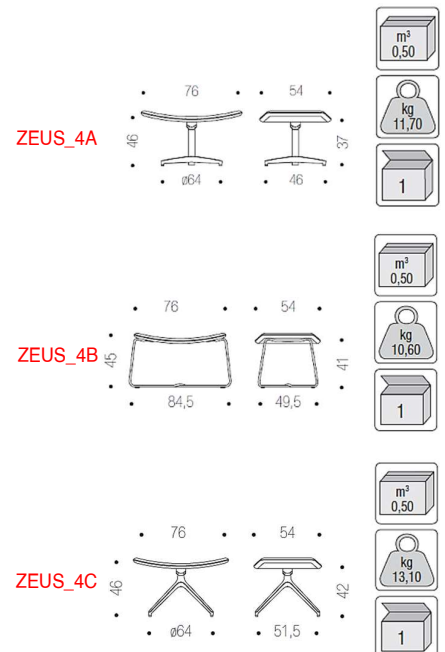
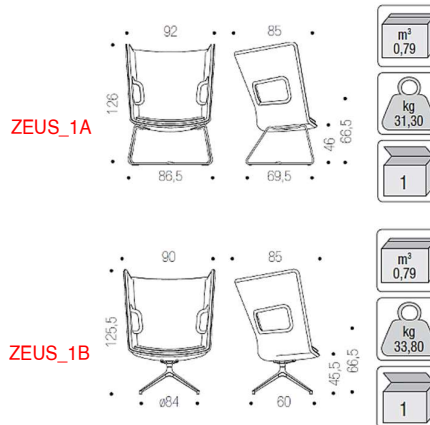


Moulded in cold-cure polyurethane shell.  
Lanee Melange upholstery.



Polypropylene (PP) plug.  
Grey RAL 9022.

Steel pipe base  $\varnothing$  14 mm.  
Epoxy powder painting  
Black RAL 9005  
White RAL 9016  
or Chromium plating.  
Available 4 stars bases  $\varnothing$  840 mm  
in polished aluminum with glides.



Moulded in cold-cure polyurethane shell with armrests. Lanee Melange upholstery.

Polished aluminum support.

Auto-return, column ø 50 mm turning 360°.



Polypropylene (PP) plug. Grey RAL9022.

4 stars bases ø 840 mm in polished aluminum with glides. Available Steel pipe base ø 14 mm. Epoxy powder painting Black RAL 9005 White RAL 9016 or Chromium plating.

